

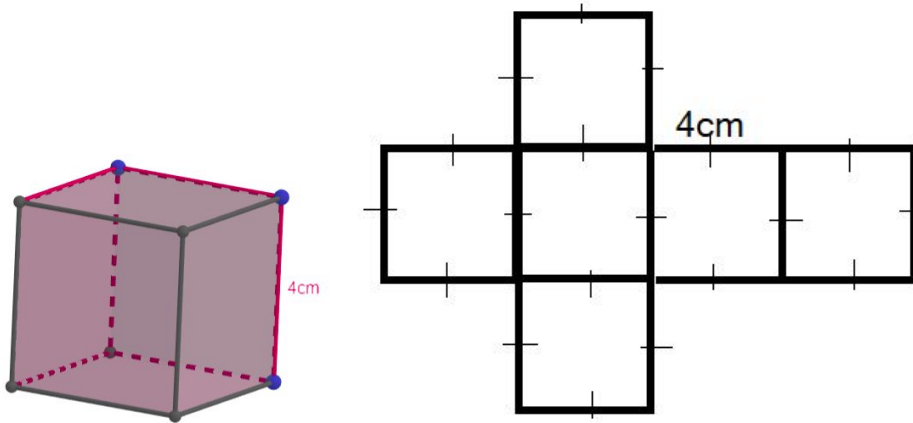
Name:

Block:

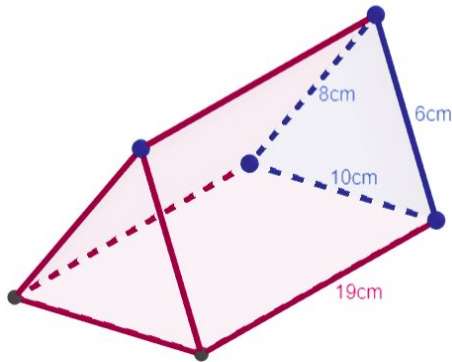
Surface Area 1 - Drawing High Quality Nets

Use a separate piece of paper to draw proportional nets for the following shapes. Appropriate measurements should be included for each side-length, with hash marks to indicate equal side-lengths. An example has been completed for you.

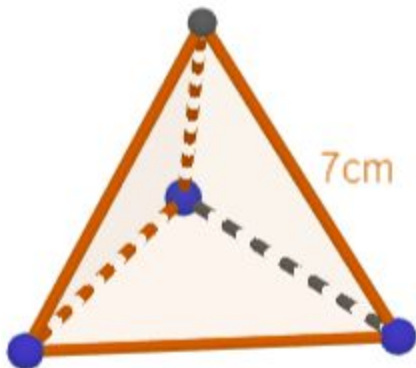
(cube)



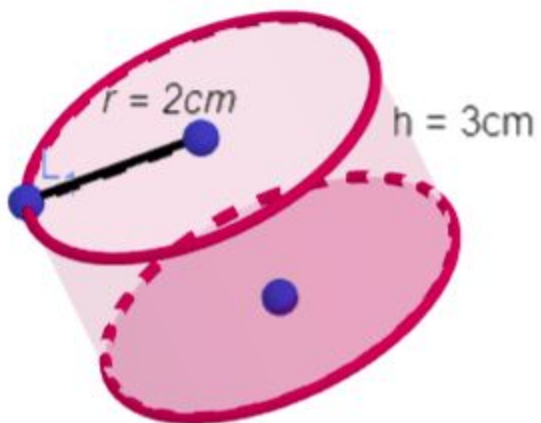
(triangular prism)



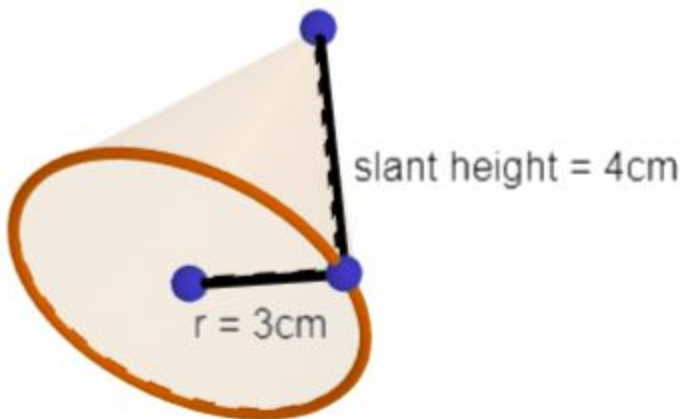
(tetrahedron - all edges equal)



(cylinder) Label all sides properly!



(cone) Make sure you understand slant height



(rectangular prism) Pay attention to the side-lengths!

