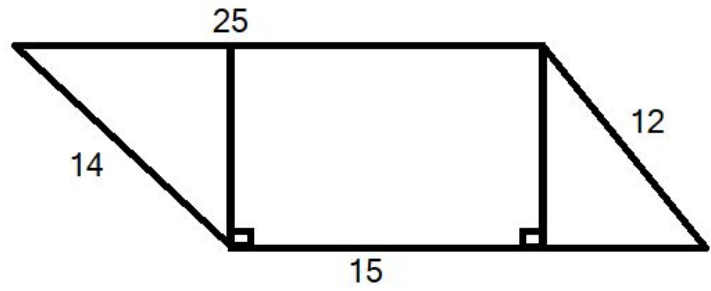
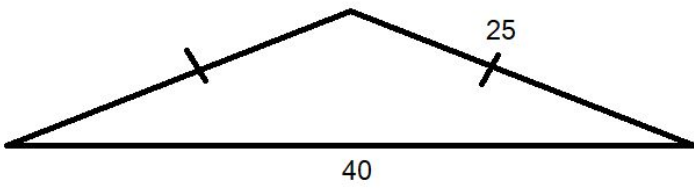
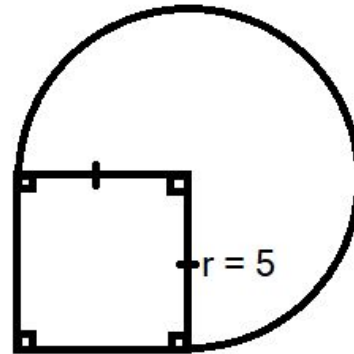
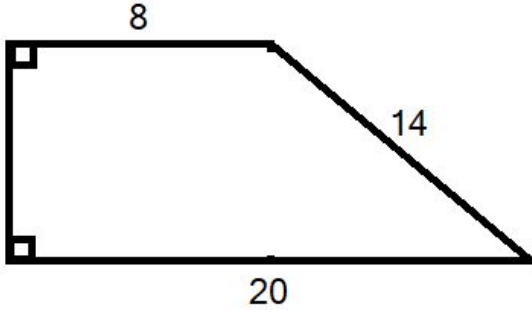


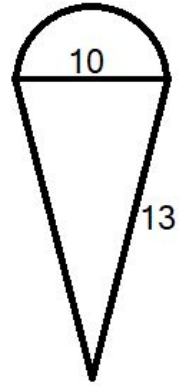
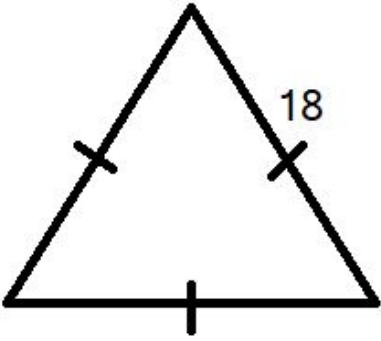
Name:

Block:

### Intro to Geometry 3 - Area of Complex Shapes

Calculate the areas of the following shapes. You may have to be creative!





(hemispherical ice cream)

